

Optical Test Platform for Multigigabit DWDM Systems

Rogério Nogueira

Institute of Telecommunications / University of Aveiro



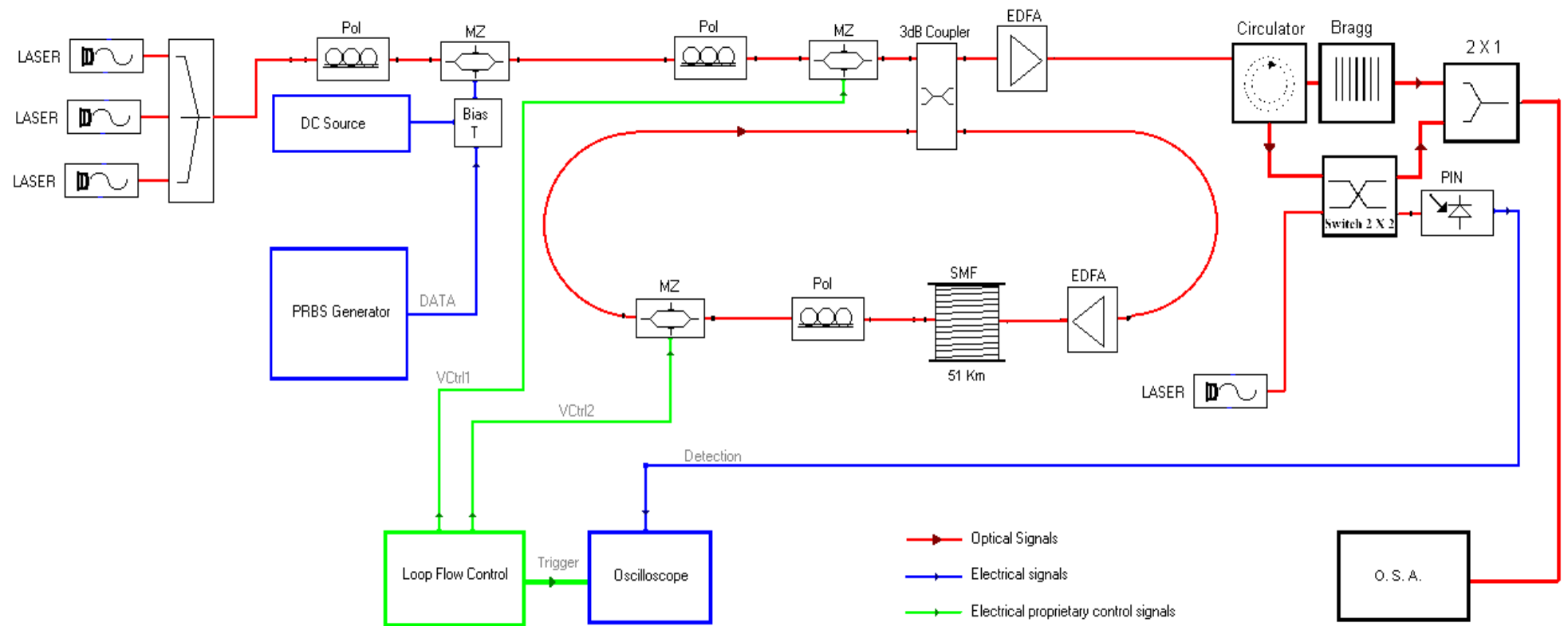
Objectives

With the optical loop, it's intended to create a high distance emulator with characteristics of an equivalent real system.

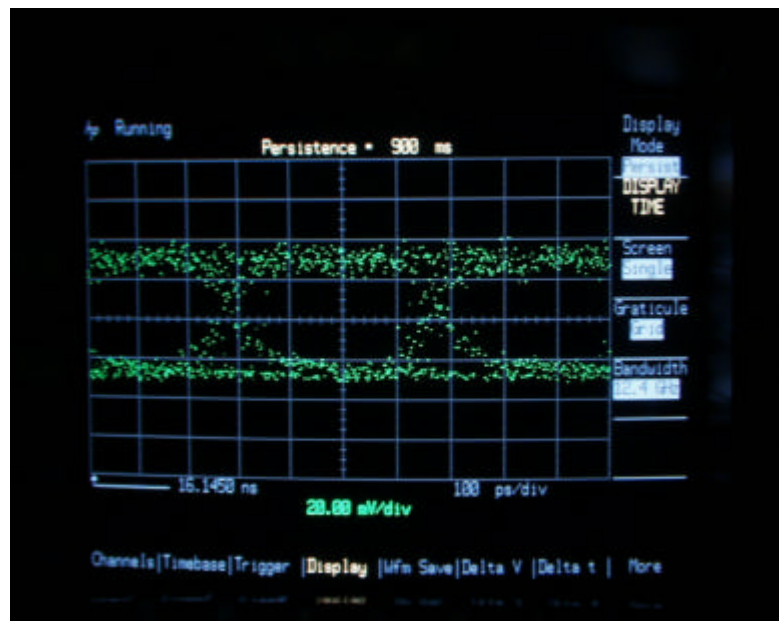
The system must be transparent and independent of the format of the signals, number of channels in WDM or transmissions ratios.



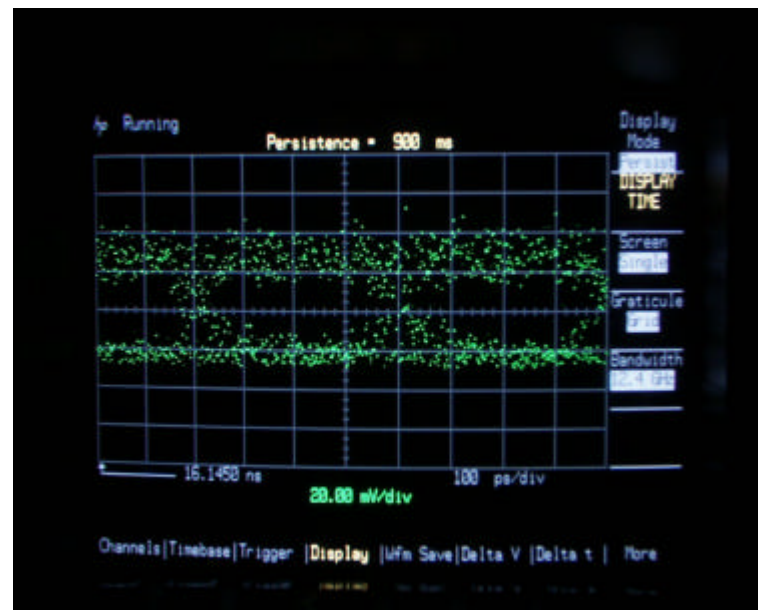
Experimental Setup



Results



0 km



150 km