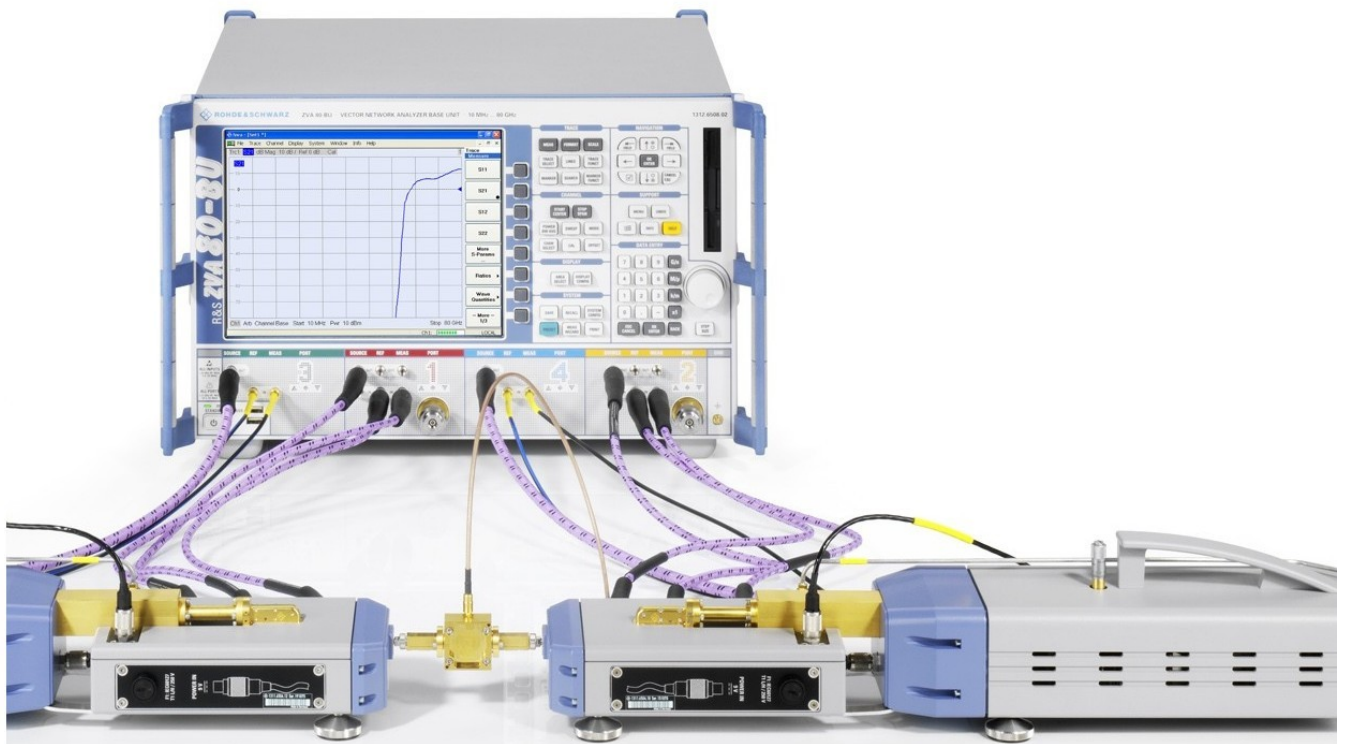


R&S® ZVA80

Broadband Measurements Using the 1 mm External Test Sets Quick Start Guide



1312.6808.62 – 02

This Quick Start Guide describes the following network analyzer types:

- R&S® ZVA80, stock number 1312.6750.02, complete system based on R&S®ZVA-BU
- R&S® ZVA80, stock number 1312.6750.03, complete system based on R&S®ZVA50
- R&S® ZVA80, stock number 1312.6750.04, modular system

This guide complements the basic Quick Start Guide for all R&S®ZVA network analyzers, stock number 1145.1090.62 and the Quick Start Guide for frequency converters R&S®ZVA-Zxxx, stock number 1307.7039.62. It describes the operation of the R&S®ZVA80 with external test sets.

© 2010 Rohde & Schwarz GmbH & Co. KG

Muehldorfstr. 15, 81671 Munich, Germany

Phone: +49 89 41 29 - 0

Fax: +49 89 41 29 12 164

E-mail: info@rohde-schwarz.com

Internet: <http://www.rohde-schwarz.com>

Printed in Germany – Subject to change – Data without tolerance limits is not binding.

R&S® is a registered trademark of Rohde & Schwarz GmbH & Co. KG.

Trade names are trademarks of the owners.

The following abbreviations are used throughout this guide: R&S®ZVAxx as R&S ZVAxx, R&S®ZVTxx as R&S ZVTxx, R&S®ZVA-BU as R&S ZVA-BU, R&S®ZVA-ZD80 as R&S ZVA-ZD80, R&S®ZVA-Zxxx as R&S ZVA-Zxxx, R&S®ZV-Zxxx as R&S ZV-Zxxx, R&S®ZV-WRxx as R&S ZV-WRxx.

Contents

1	Safety Instructions	5
2	Preparing the Analyzer for Use	6
2.1	Operation with External Test Sets.....	6
2.2	R&S ZVA80 Base Unit Connectors.....	7
2.2.1	PORT 1 and PORT 2 Connectors	7
2.2.2	PORT 3 and PORT 4 Connectors.....	8
2.3	Diplexer Connectors.....	8
2.3.1	Test Port.....	9
2.3.2	H/L SWITCH Connector.....	10
2.3.3	Rear Panel.....	10
2.3.4	Fuse Holder.....	11
2.4	Frequency Converter Connectors.....	11
2.4.1	Waveguide Flange.....	11
2.4.2	Output Power Adjusting Screw.....	12
2.4.3	Rear Panel.....	12
2.4.3.1	Standby Switch.....	13
2.4.3.2	Power Supply Connector.....	13
2.4.3.3	Fuse Holder.....	14
2.4.3.4	RF Connectors – Input.....	14
2.4.3.5	IF Connectors – Output.....	15
2.5	Putting the Analyzer into Operation.....	15
2.5.1	Unpacking and Checking the Instrument.....	15
2.5.2	Positioning the Instrument.....	16
2.5.3	Adjusting the Feet of the Test Set.....	16
2.5.4	Connecting the Control Cable.....	17
2.5.5	Connecting RF Cables.....	17
2.5.6	Connecting the Converter to the DC Supply.....	20
2.5.7	Switching on the External Test Set.....	21
2.5.8	Mounting a DUT.....	21
2.5.9	Replacing Fuses.....	21
2.6	Maintenance.....	21

2.7	Storing and Packing.....	22
3	Basic Operation.....	23
3.1	Required Equipment.....	23
3.2	Measurement Principle.....	23
3.3	Activating the ZVA80-BU Measurement Mode.....	23
3.4	Connecting the External Test Sets.....	24
3.5	Calibration.....	25
3.6	Measurement.....	26
3.7	Troubleshooting.....	27
3.8	Special Considerations for Type 03 and 04 Systems.....	27
3.9	Additional Information.....	28
4	Dismounting Frequency Converters.....	29
4.1	Service Re-Calibration.....	30
	Index.....	31

1 Safety Instructions

This vector network analyzer has been designed and tested in accordance with the EC Certificate of Conformity and has left the manufacturer's plant in a condition fully complying with safety standards.

NOTICE

Risk of instrument damage

To prevent instrument damage make sure to read through and observe the following safety instructions.

ESD protective measures

To protect the network analyzer and the external test sets against damage due to Electrostatic Discharge (ESD) use the wrist strap and grounding cord supplied with the network analyzer and connect yourself to the GND connector at the front panel of the analyzer. For details refer to the R&S ZVA Quick Start Guide, stock no. 1145.1090.62.

Input powers RF IN and LO IN

The RF input power at the connectors RF IN and LO IN must not exceed the maximum values quoted in the data sheet. The maximum values are below the maximum RF source power of the network analyzer. The "ZVA80-BU" mode ensures compatible source powers.

Before you connect your external test set to the network analyzer, always activate the "ZVA80-BU" mode using the "Frequency Converter" dialog (see [chapter 3.3, "Activating the ZVA80-BU Measurement Mode"](#), on page 23).

Avoid heavy shocks

Heavy shocks can damage inner parts of the devices. Shock-proof packing should therefore be used for storing or dispatching the analyzer and the external test sets.

Opening the instrument

Do not open the frequency converter and diplexer elements of the external test sets. Repair can only be done at the manufacturer's servicing department.

Using frequency converters separately

The frequency converters may be dismantled from the external test sets and used separately; see [chapter 4, "Dismounting Frequency Converters"](#), on page 29. The waveguide flanges of the dismantled converters and of the test port adapters must be protected against mechanical damage. Furthermore the waveguides must be shielded from dust.

Protect the waveguide flange of the dismantled converter by leaving a test port adapter connected. When the converter is not in use attach one of the included protective caps to the adapter. Avoid scratching the contact surfaces of the waveguide flanges.

2 Preparing the Analyzer for Use

The R&S ZVA80 vector network analyzer supports two essentially different measurement modes:

- Measurements with internal test sets cover a frequency range between 10 MHz and approx. 50 GHz. On an R&S ZVA80 type 02 (stock no. 1312.6750.02), the DUT is connected to the test port connectors PORT 1 and/or PORT 2 of the R&S ZVA80 base unit (BU). One and two-port measurements can be performed as described in the R&S ZVA Quick Start Guide, stock number 1145.1090.62, and in the network analyzer's help system.
The R&S ZVA80 types 03 and 04 (stock numbers 1312.6750.03 and 1312.6750.04) are based on R&S ZVA50 vector network analyzers. The DUT can be connected to any of the four test ports of the R&S ZVA50. One to four-port measurements are supported.
- Measurements with external test sets cover an extended frequency range between 10 MHz and 80 GHz. The DUT is connected to the 1 mm connector(s) at the front of the diplexers R&S ZVA-ZD80. This measurement mode is described in the present manual.

This chapter describes the external test sets and their connection to the DUT and to the R&S ZVA80 vector network analyzer. A typical measurement example is presented in [chapter 3, "Basic Operation"](#), on page 23.



The measurement mode is selected in the "Frequency Converter" tab of the "System Configuration" dialog: "NONE" for measurements with internal test sets, "ZVA80-BU" for external test sets. See [chapter 3.3, "Activating the ZVA80-BU Measurement Mode"](#), on page 23.

2.1 Operation with External Test Sets

The external test sets enable a frequency range between 10 MHz and 80 GHz. The analyzer combines two different measurement methods to achieve this extended range.

- At frequencies below approx. 50 GHz (i.e. in "low frequency" mode), the frequency converter in the external test set is bypassed. The source signals from test ports PORT 1 / 2 of the R&S ZVA80 base unit are directly fed to the 1 mm test port connectors of the diplexers. The analyzer measures the a-waves (reference channels) from REF OUT and the b-waves (measurement channels) from MEAS OUT on the diplexers. The connector groups PORT 3 / 4 on the R&S ZVA80 base unit and the RF connectors LO IN, RF IN, REF OUT, MEAS OUT on the rear panel of the converters are not used.
- To achieve frequencies above approx. 50 GHz (i.e. to measure in "high frequency" mode), the source signals from test ports PORT 1 / 2 of the R&S ZVA80 base unit are fed to the frequency converters; the converted signals are routed to the 1 mm test port connectors of the diplexers. The frequency converters use frequency multipliers to transform the source signal into a high-frequency stimulus signal. An addi-

tional Local Oscillator (LO) signal from PORT 3 / 4 of the analyzer is used for down-conversion of the reference and measurement channels. The analyzer measures the a-waves from REF OUT and the b-waves from MEAS OUT on the converters. The RF connectors REF OUT, MEAS OUT on the rear panel of the diplexers are not used.

The analyzer automatically switches between low frequency and high frequency mode, depending on the stimulus frequency; see [chapter 2.3.2, "H/L SWITCH Connector"](#), on page 10. There is no need to change the test setup and cabling.

2.2 R&S ZVA80 Base Unit Connectors

The front and rear panel controls and connectors of the R&S ZVA80 BU are described in the R&S ZVA Quick Start Guide, stock number 1145.1090.62 and in the network analyzer's help system. The following sections describe special aspects for measurements with external test sets.

2.2.1 PORT 1 and PORT 2 Connectors

The PORT 1 and PORT 2 connector groups are similar. Each of them consists of a bidirectional, ruggedized 2.4 mm connector and 3 pairs of 1.85 mm (V) connectors for direct generator and receiver access.



The connectors are used alternatively:

- The 2.4 mm connector serves as a test port connector for one or two-port measurements with **internal** test set. In this operating mode, the three 1.85 mm connector pairs are generally not needed, however, they can provide an extended measurement functionality (see R&S ZVA Quick Start Guide, stock number 1145.1090.62, and the network analyzer's help system). Unused OUT/IN loops must be closed by means of jumpers as shown in the figure above.
- The SOURCE OUT connector provides the RF source signal for the **external** test set. SOURCE OUT is connected to the rear panel of the diplexer. In the low frequency range below approx. 50 GHz, REF IN and MEAS IN receive the reference waves and measured waves from the diplexer, respectively. The 1 mm connector of the diplexer serves as a test port connector; the 2.4 mm connectors at PORT 1 / 2 are not needed.

See also [chapter 2.1, "Operation with External Test Sets"](#), on page 6 and [chapter 2.5.5, "Connecting RF Cables"](#), on page 17.

NOTICE**Maximum input levels**

The maximum RF input levels at the 2.4 mm connectors and at all 1.85 mm inputs according to the front panel labeling or the data sheet must not be exceeded. In addition, it is important that the signal fed in at the 1.85 mm inputs contains no DC offset, as this may impair the measurements and even cause damage to the instrument.

2.2.2 PORT 3 and PORT 4 Connectors

The PORT 3 and PORT 4 connector groups provide a reduced set of connectors. No additional ruggedized 2.4 mm test port connector is available.

The connectors are required for measurements in the high frequency range above approx. 50 GHz only.

- The SOURCE OUT 2.92 mm (K) connector provides the Local Oscillator (LO) signal for the frequency converter of the external test set.
- The SMA inputs REF IN and MEAS IN receive the measured waves and reference waves from the converter, respectively.

See also [chapter 2.1, "Operation with External Test Sets"](#), on page 6 and [chapter 2.5.5, "Connecting RF Cables"](#), on page 17.

NOTICE**Maximum input levels**

The maximum RF input levels at all SMA inputs according to the front panel labeling or the data sheet must not be exceeded. In addition, it is important that the signal fed in at the SMA inputs contains no DC offset, as this may impair the measurements and even cause damage to the instrument.

2.3 Diplexer Connectors

The R&S ZVA80 is delivered with two fully assembled external test sets, each consisting of a diplexer R&S ZVA-ZD80 and a frequency converter R&S ZVA-Z75.

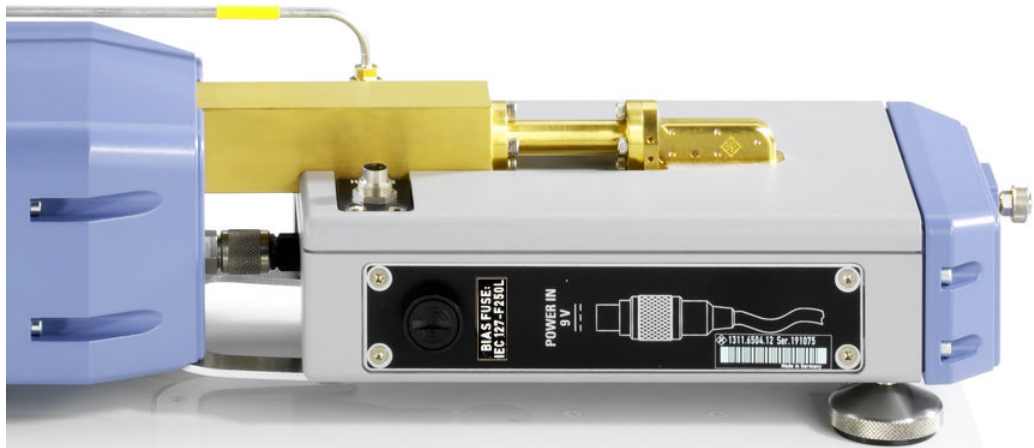


Fig. 2-1: Connection between diplexer (right) and frequency converter (left)

The connection of the diplexer and the frequency converter includes conducting lines for waves and power supply:

- The RF HIGH OUT connector on the top side of the diplexer is connected to RF IN on the rear panel of the converter using a semi-rigid RF cable.
- The waveguide connector on the top side of the diplexer is connected to the waveguide flange of the converter.
- The connection underneath the waveguide flange ensures the power supply of the diplexer.

An additional metal clamp at the bottom ensures mechanical stability.



Dismounting the frequency converter

The connection shown above is suitable for all operating modes and measurements. Only dismount the frequency converter from the diplexer if you want to use it separately; see [chapter 4, "Dismounting Frequency Converters"](#), on page 29.

2.3.1 Test Port



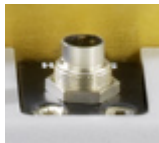
1 mm (m) connector, serves as an output for RF stimulus signals and as an input for the measured RF signals from the DUT (response signals).

- With a single external test set, it is possible to generate a stimulus signal and measure the response signal in reflection.
- With two external test sets, it is possible to perform full 2-port measurements.

NOTICE**Maximum input level, mechanical damage**

Do not exceed the maximum input level at the test port according to the data sheet, especially when using active DUTs or external amplifiers.

To avoid mechanical damage when connecting devices to the 1 mm connector, always use the torque wrench supplied with the R&S ZVA80.

2.3.2 H/L SWITCH Connector

The H/L SWITCH connectors on the top side of each diplexer are input connectors for the control signals from the USER CONTROL connector on the rear panel of the R&S ZVA80 base unit; see [chapter 2.5.4, "Connecting the Control Cable"](#), on page 17.

2.3.3 Rear Panel

The rear panel of the diplexer provides input and output connectors for RF signals and a DC input. Connectors labeled LOW are used in low frequency mode only; see [chapter 2.1, "Operation with External Test Sets"](#), on page 6.



Fig. 2-2: Rear panel of the diplexer

- MEAS OUT LOW is a 1.85 mm (V) female connector which provides the measured signal (b wave) in low frequency mode.
- RF IN LOW / HIGH is a 1.85 mm (V) female connector which receives the RF source signal from the R&S ZVA80 base unit. This connector is used in low frequency and in high frequency mode.
- REF OUT LOW is a 1.85 mm (V) female connector which provides the reference signal (a wave) in low frequency mode.
- BIAS is a BNC connector which serves as a DC bias input for the external test set. The BIAS input is protected by an exchangeable fuse; see [chapter 2.3.4, "Fuse Holder"](#), on page 11.

MEAS OUT, RF IN, and REF OUT are connected to the corresponding 1.85 mm connectors of PORT 1 / 2 at the R&S ZVA80 base unit. The complete RF connection of the external test set is described in [chapter 2.5.5, "Connecting RF Cables"](#), on page 17.

NOTICE**Maximum input power at RF IN**

The RF input power at the RF IN connector must not exceed the maximum value quoted in the data sheet. The maximum value is below the maximum RF source power of the network analyzer. The "ZVA80-BU" mode ensures compatible source powers.

Before you connect your external test set to the network analyzer, always activate the "ZVA80-BU" mode using the "Frequency Converter" dialog (see [chapter 3.3, "Activating the ZVA80-BU Measurement Mode"](#), on page 23).

NOTICE**Maximum input voltage at BIAS and EMI suppression**

The maximum nominal input voltage and current for the BIAS connector must not exceed the value quoted in the data sheet. Use a double-shielded cable and terminate open cable ends with 50 Ω to ensure successful control of electromagnetic radiation during operation.

The LED labeled ON lights when the diplexer is properly power-supplied. If the LED does not light, check the following:

- The power connection between the diplexer and the converter must be in place (see [figure 2-1](#)).
- The converter must be power-supplied and switched on.
- The fuse at the converter must be intact.

2.3.4 Fuse Holder



A fuse of type IEC 127-F250L at the front protects the diplexer from excess input current at the BIAS connector. The frequency converter is protected by a fuse of different type; see [chapter 2.4.3.3, "Fuse Holder"](#), on page 14.

For fuse replacement refer to [chapter 2.5.9, "Replacing Fuses"](#), on page 21.

2.4 Frequency Converter Connectors

The R&S ZVA80 is delivered with two fully assembled external test sets, as described in [chapter 2.3, "Diplexer Connectors"](#), on page 8. The open connectors of the converter are described in the following sections.

2.4.1 Waveguide Flange

For normal operation, the waveguide adapter with the precision waveguide flange mounted on top is connected to the diplexer. If the frequency converter is used separately, a DUT can be connected to the waveguide flange. Refer to the Quick Start Guide for fre-

quency converters R&S ZVA-Zxxx, stock no.1307.7039.62, for detailed information and safety instructions. This Quick Start Guide is posted on the R&S internet.

See also [chapter 4, "Dismounting Frequency Converters"](#), on page 29.

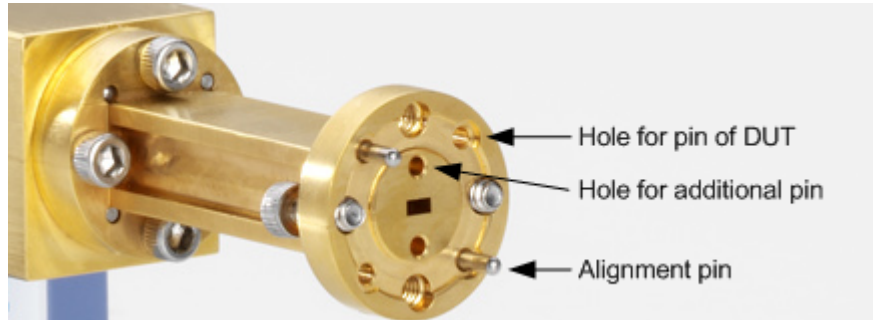


Fig. 2-3: Test port adapter of the frequency converter

2.4.2 Output Power Adjusting Screw



The output power of the converter can not be adjusted via the network analyzer. When the frequency converter mode is activated at the network analyzer, the output power of the analyzer is set to a fixed value optimized for the selected type of frequency converter.

The screw at the top of the converter allows to adjust the output power of the waveguide test port. Turning the screw clockwise reduces the output power while turning the screw counter-clockwise increases the output power. Adjusting the screw to 0 mm results in minimum power while maximum power is reached at about 2 mm. If you accidentally unscrew the knob completely, simply screw it on again. If you readjust the screw after calibration, the power calibration is still valid but the system error correction has to be repeated.

2.4.3 Rear Panel

The rear panel of the frequency converter provides the connectors and control elements shown in the following figure.



Fig. 2-4: Rear view of the frequency converter

The connectors are described in the following sections.

2.4.3.1 Standby Switch

The standby toggle switch connects (ready state) or disconnects (standby state) the internal modules of the frequency converter from the power supply. This includes the output connector for the power supply connection to the diplexer (see [figure 2-1](#)).



Fig. 2-5: Standby switch and LEDs

A green light-emitting diode (LED) next to the switch indicates that the instrument is in ready state. An orange LED further to the right indicates that the instrument is in standby state. These LEDs are only lit when the converter is properly connected to the power supply and the fuse of the instrument is intact.

2.4.3.2 Power Supply Connector



To supply the frequency converter, connect the external DC power supply provided with the converter to the 9 V / 0.8 A DC input. For details see [chapter 2.5.6](#), "Connecting the Converter to the DC Supply", on page 20.

Always switch the instrument to standby state before removing the power supply.

NOTICE**Risk of instrument damage**

The input voltage and current must not exceed the maximum values according to the rear panel labeling or the data sheet.

Always use the DC power supply included in the delivery to power your frequency converter.

2.4.3.3 Fuse Holder

A fuse of type IEC60127 T1 L/H protects the frequency converter from excess input voltages at the power supply connector. The diplexer is protected by a fuse of different type; see [chapter 2.3.4, "Fuse Holder"](#), on page 11.

For fuse replacement see [chapter 2.5.9, "Replacing Fuses"](#), on page 21.

2.4.3.4 RF Connectors – Input

Two 3.5 mm input connectors:

- RF IN receives the RF source signal from the diplexer. A semi-rigid cable connects RF IN to the RF HIGH OUT connector on the top side of the diplexer.
- LO IN receives the local oscillator signal from the R&S ZVA80 base unit.

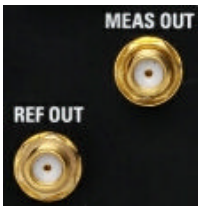
Both input connectors are only used in high frequency mode. The complete RF connection of the external test set is described in [chapter 2.5.5, "Connecting RF Cables"](#), on page 17.

NOTICE**Risk of instrument damage**

The RF input power at the connectors RF IN and LO IN must not exceed the maximum values quoted in the data sheet. The maximum values are below the maximum RF source power of the network analyzer. The "ZVA80-BU" mode ensures compatible source powers.

Before you connect your external test set to the network analyzer, always activate the "ZVA80-BU" mode using the "Frequency Converter" dialog (see [chapter 3.3, "Activating the ZVA80-BU Measurement Mode"](#), on page 23).

2.4.3.5 IF Connectors – Output



Two SMA output connectors:

- MEAS OUT provides the measured signal (b wave) for the R&S ZVA80 base unit.
- REF OUT provides the reference signal (a wave) for the R&S ZVA80 base unit.

The output connectors are connected to the corresponding SMA connectors of PORT 3 / 4 at the R&S ZVA80 base unit. Both are only used in high frequency mode. The complete RF connection of the external test set is described in [chapter 2.5.5, "Connecting RF Cables"](#), on page 17.

2.5 Putting the Analyzer into Operation

The basic steps to be taken when setting up the R&S ZVA80 base unit for the first time are described in the R&S ZVA Quick Start Guide, stock number 1145.1090.62 and in the network analyzer's help system. This section gives additional information related to operation with external test sets.

2.5.1 Unpacking and Checking the Instrument

The R&S ZVA80 base unit is shipped in a cardboard box; for unpacking instructions refer to the R&S ZVA Quick Start Guide, stock number 1145.1090.62. Each of the two external test sets is shipped in a separate wooden case. The external test sets are fully mounted and accompanied by the necessary cables and additional equipment.

When you receive the shipment, please take the following steps:

1. Unpack the test sets and the other contents of the wooden case.
2. Check the contents of the cases against the list of accessories to ensure that all items are included.
3. Remove the protective caps from the 1 mm test ports at the front of the diplexer elements and carefully inspect the converters and diplexers to make sure that they were not damaged during shipment.

Should the external test sets be damaged, immediately notify the forwarder who shipped them to you. External test sets returned to Rohde & Schwarz or sent in for repair must be packed in the original wooden cases. The cases should also be kept for storing the test sets and the accessories.

See also [chapter 2.7, "Storing and Packing"](#), on page 22 and [chapter 4.1, "Service Re-Calibration"](#), on page 30.

2.5.2 Positioning the Instrument

The R&S ZVA80 is designed for use under laboratory conditions on a bench top. The surface of the bench top should be flat. The external test sets must be used in horizontal position.

The general ambient conditions required at the operating site are as follows:

- The ambient temperature must be in the ranges specified for operation and for compliance with specifications (see data sheet).
- All ventilation openings must be unobstructed.

NOTICE

Risk of instrument and DUT damage

To avoid damage of electronic components of the DUT and the R&S ZVA80, the operating site must be protected against electrostatic discharge (ESD).

To prevent ESD damage use the wrist strap and grounding cord supplied with the network analyzer and connect yourself to the GND connector at the front panel of the analyzer. For details refer to the R&S ZVA Quick Start Guide.

2.5.3 Adjusting the Feet of the Test Set

The frequency converter can be used with three or four feet attached to the bottom side. It is recommended to use three feet: two in front and one in the middle of the rear. Two additional feet support the diplexer.

In most cases the external test set can be aligned as follows: Screw the diplexer feet and the front feet into the instrument as far as possible and use the rear foot to align the entire test set parallel to the surface of the bench top. When you connect a DUT in-between two test sets (see [chapter 2.5.8, "Mounting a DUT"](#), on page 21) use the diplexer feet for further alignment.



Fig. 2-6: Setup with one rear foot (left) and two rear feet (right)

2.5.4 Connecting the Control Cable

Switchover between low frequency and high frequency mode is automatically controlled from the R&S ZVA80 base unit. If you operate your R&S ZVA80 in high frequency mode, use the "H/L Switch" cable supplied with the R&S ZVA80 to connect the USER CONTROL connector on the rear panel of the base unit to the H/L SWITCH connectors on the top side of each diplexer. The cable end labeled H/L SWITCH PORT 1 is intended for the "left" diplexer (connected to the analyzer ports 1 and 3); the cable end labeled H/L SWITCH PORT 2 is for the "right" diplexer (connected to ports 2 and 4).

The H/L switch mechanism is controlled by the drive port bits no. 1 and 2 (pins no. 16 and 17) of the USER CONTROL connector. For a detailed description of the connector refer to the help system of your network analyzer.



Low frequency mode

The control cable is not needed in low frequency mode. It is recommended to remove the control cable if no frequencies above approx. 50 GHz are measured, even if the DUT is connected to the 1 mm test port connectors of the diplexers.

2.5.5 Connecting RF Cables

The R&S ZVA80 is delivered with two fully assembled external test sets, each consisting of a diplexer R&S ZVA-ZD80 and a frequency converter WR15 R&S ZVA-Z75. The "internal" connection between the diplexers and frequency converters is described in [chapter 2.3, "Diplexer Connectors"](#), on page 8. The left test set is intended for PORT 1 / PORT 3 of the R&S ZVA80 base unit; the right test set for PORT 2 / PORT 4. Connection of the two test sets is analogous.

NOTICE

Risk of instrument damage

The RF input power at the RF IN and LO IN connectors must not exceed the maximum value quoted in the data sheet. The maximum value is below the maximum RF source power of the network analyzer. The "ZVA80-BU" mode ensures compatible source powers.

Before you connect your external test set to the network analyzer, always activate the "ZVA80-BU" mode using the "Frequency Converter" dialog (see [chapter 3.3, "Activating the ZVA80-BU Measurement Mode"](#), on page 23).

NOTICE**Connecting cables, risk of damage**

A full set of connecting cables including the necessary adapters (for instrument types 03 and 04) is supplied with the R&S ZVA80. It is strictly recommended to use these high-quality cables for the RF connection. For accurate measurement results, RF cables must have a low attenuation and excellent phase stability.

Tightening the cable connectors too much may cause damage. Loose connections can result in inaccurate measurement results. For these reasons always use appropriate torque wrenches, suitable for the different connectors types. A torque wrench for the delicate 1 mm connector is supplied with the R&S ZVA80.

Some of the RF connections are only used while the network analyzer operates in the low frequency range (below approx. 50 GHz) or in the high frequency range (above approx. 50 GHz). It is strongly recommended though to establish all RF connections, as this ensures full flexibility and maximum accuracy .

1. Ensure that the converter is in standby state or disconnected from the power supply (see [chapter 2.4.3.1, "Standby Switch"](#), on page 13).
2. Ensure that the "ZVA80-BU" mode is activated at the network analyzer (see [chapter 3, "Basic Operation"](#), on page 23).
3. Connect the RF input and output connectors of the diplexers and the frequency converters as shown below.

The following figure shows the cabling of the left test set.

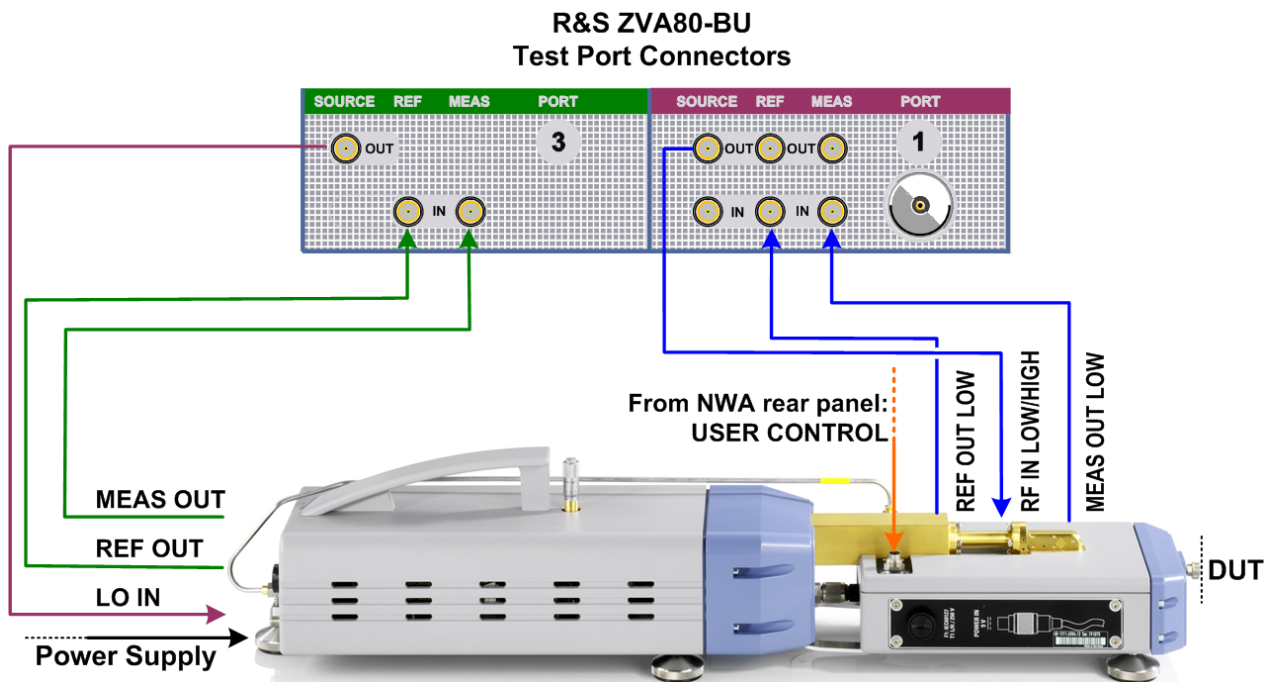
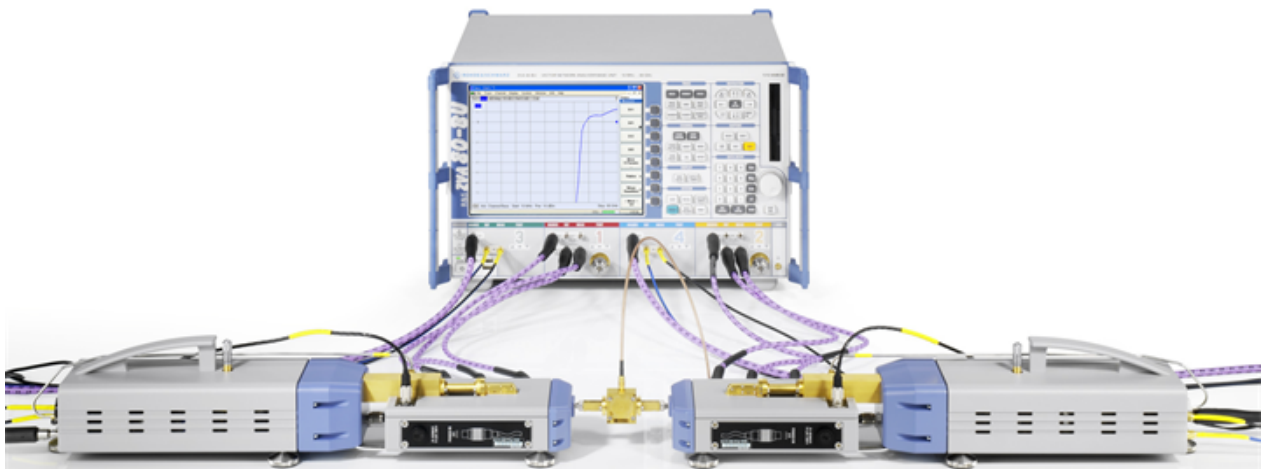


Table 2-1: RF connection for left external test set

R&S ZVA80 BU connector	Ext. test set connector	Cable	Used at frequencies
PORT 1 – SOURCE OUT	Diplexer – RF IN	R&S ZV-Z196, 1.85 mm (M) – 1.85 mm (M), 0.6 m	LOW / HIGH
PORT 1 – REF IN	Diplexer – REF OUT	R&S ZV-Z196, 1.85 mm (M) – 1.85 mm (M), 0.6 m	LOW
PORT 1 – MEAS IN	Diplexer – MEAS OUT	R&S ZV-Z196, 1.85 mm (M) – 1.85 mm (M), 0.6 m	LOW
PORT 3 – SOURCE OUT	Converter – LO IN	R&S ZV-Z193, 3.5 mm (M) – 3.5 mm (M), 1.5 m	HIGH
PORT 3 – REF IN	Converter – REF OUT	CABLE EXT MEAS, 1.55 m	HIGH
PORT 3 – MEAS IN	Converter – MEAS OUT	CABLE EXT REF, 1.55 m	HIGH

Table 2-2: RF connection for right external test set

R&S ZVA80 BU connector	Ext. test set connector	Cable	Used at frequencies
PORT 2 – SOURCE OUT	Diplexer – RF IN	R&S ZV-Z196, 1.85 mm (M) – 1.85 mm (M), 0.6 m	LOW / HIGH
PORT 2 – REF IN	Diplexer – REF OUT	R&S ZV-Z196, 1.85 mm (M) – 1.85 mm (M), 0.6 m	LOW
PORT 2 – MEAS IN	Diplexer – MEAS OUT	R&S ZV-Z196, 1.85 mm (M) – 1.85 mm (M), 0.6 m	LOW
PORT 4 – SOURCE OUT	Converter – LO IN	R&S ZV-Z193, 3.5 mm (M) – 3.5 mm (M), 1.5 m	HIGH
PORT 4 – REF IN	Converter – REF OUT	CABLE EXT MEAS, 1.55 m	HIGH
PORT 4 – MEAS IN	Converter – MEAS OUT	CABLE EXT REF, 1.55 m	HIGH

**Fig. 2-7: Complete test setup for 2-port transmission measurement**

Right and left duplexers and converters

A label on the rear panel of the network analyzer shows the two duplexer and converter units with their position. The label contains the following information.

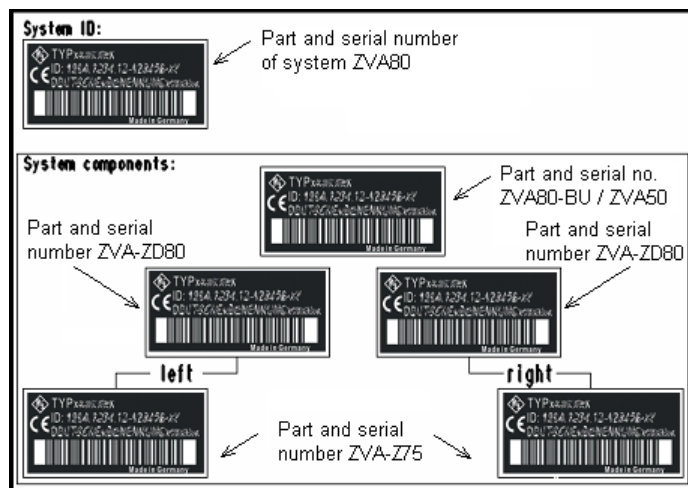


Fig. 2-8: System component information



Compliance with rated specifications

The "left" external test set (consisting of one duplexer R&S ZVA-ZD80 plus one converter R&S ZVA-Z75) is connected to the analyzer ports 1 and 3; the "right" external test set to the analyzer ports 2 and 4. Compliance with the rated specifications requires a system setup according to the rear panel labeling. Never interchange the left and right duplexer and converter units, and never interchange duplexers and converters from different R&S ZVA80 systems.

2.5.6 Connecting the Converter to the DC Supply

An external DC power supply and several plug adapters are provided with each of the external test sets. Select the appropriate adapter and attach it to the power supply. To remove a mounted adapter press the small button next to the adapter and push the adapter away from the button.

Connect the power supply to the 9 V / 0.8 A DC input at the rear panel of the frequency converter (see [chapter 2.4.3.2, "Power Supply Connector"](#), on page 13) and to a power outlet. The power supply supports input AC voltages between 100 V and 240 V and frequencies between 47 Hz and 63 Hz.

A lit LED next to the standby switch indicates that the power supply operates appropriately. If neither of the two LEDs is lit, check the fuse of the instrument (see [chapter 2.5.9, "Replacing Fuses"](#), on page 21).

2.5.7 Switching on the External Test Set

The standby toggle switch is located at the rear panel (see [chapter 2.4.3.1, "Standby Switch"](#), on page 13). To switch the external test set to ready state, press the key. The green LED next to the switch must be lit now.

After switching the external test set to the ready state a warm-up time of one hour is required to ensure accurate measurements. The instrument is only warmed-up in ready state, not in standby state.

2.5.8 Mounting a DUT

The DUT must be screwed to the 1 mm test port connector at the front of the diplexer. A tight connection is very important to ensure precise calibration and measurement results. Depending on the connectors of the DUT, additional adapters may be required.

For two-port measurements involving two external test sets connected to one DUT, the test sets and the DUT must be aligned accurately, using the adjustable feet of the test sets.

2.5.9 Replacing Fuses

The frequency converter and the diplexer are each protected by a fuse of type IEC60127 T1 L/H. To replace a fuse open the fuse holder by slightly turning the lid counter-clockwise, preferably using a small coin. A replacement fuse is provided with the instrument.

2.6 Maintenance

The external test sets do not require any special maintenance. Make sure that the air vents of the frequency converters are not obstructed. The outside is suitably cleaned using a soft, line-free dust cloth.

NOTICE

Risk of damage

Cleaning agents contain substances that may damage the external test set, e.g. the front panel labeling or plastic parts.

Never use cleaning agents such as solvents (thinners, acetone etc.), acids, bases or other substances.

For our support center address and a list of useful R&S contact addresses refer to the pages at the beginning of this guide.

2.7 Storing and Packing

The R&S ZVA80 base unit and the external test sets can be stored in the temperature range quoted in the data sheet. When stored for a longer period of time the devices should be protected against dust.

It is strongly recommended to transport and store the external test sets in the original wooden case. The 1 mm test port of the diplexer should be protected by its cap; see also [chapter 2.5.1, "Unpacking and Checking the Instrument"](#), on page 15.

The waveguide flanges of dismantled frequency converters must be protected against mechanical damage and shielded from dust; see [chapter 4, "Dismounting Frequency Converters"](#), on page 29.

3 Basic Operation

This chapter describes the use of an R&S ZVA80 vector network analyzer with two external test sets for 2-port transmission measurements.

One-port reflection measurements can be performed in a similar way using a single external test set.

3.1 Required Equipment

The R&S ZVA80 system is delivered with all measurement equipment needed. An additional 1 mm calibration kit is required for calibration.

3.2 Measurement Principle

The principle of the measurement with external test sets is described at the beginning of this guide; refer to [chapter 2.1, "Operation with External Test Sets"](#), on page 6.

The measurement involves the following steps:

1. Activation of the "ZVA80-BU" mode for measurements with external test set
2. Connection of the external test sets
3. Calibration using a suitable calibration kit
4. Connection of the DUT and measurement

3.3 Activating the ZVA80-BU Measurement Mode

After a factory preset, the R&S ZVA80 base unit is in the "ZVA80-BU" mode, which is the operating mode for measurements with external test sets. The sweep range corresponds to the full frequency range of the analyzer up to 80 GHz. The ZVA80-BU mode can be disabled, e.g. in order to perform 2-port measurements with internal test sets.

To re-activate the ZVA80-BU mode,

1. Click "System > System Config ..." and open the "Frequency Converter" tab of the "System Configuration" dialog.
2. Select "Type : ZVA80-BU".
3. Click "Apply" to activate the mode and "Close".



Analyzer settings with active ZVA80-BU mode

In "ZVA80-BU" mode, the frequency and level settings of the network analyzer are automatically set to be compatible with the external test sets. "Low Phase Noise" is enabled, Automatic Level Control (ALC) is disabled. The frequency and levels of all ports are displayed in the "Port Configuration" dialog ("Channel > Mode > Port Config ...").

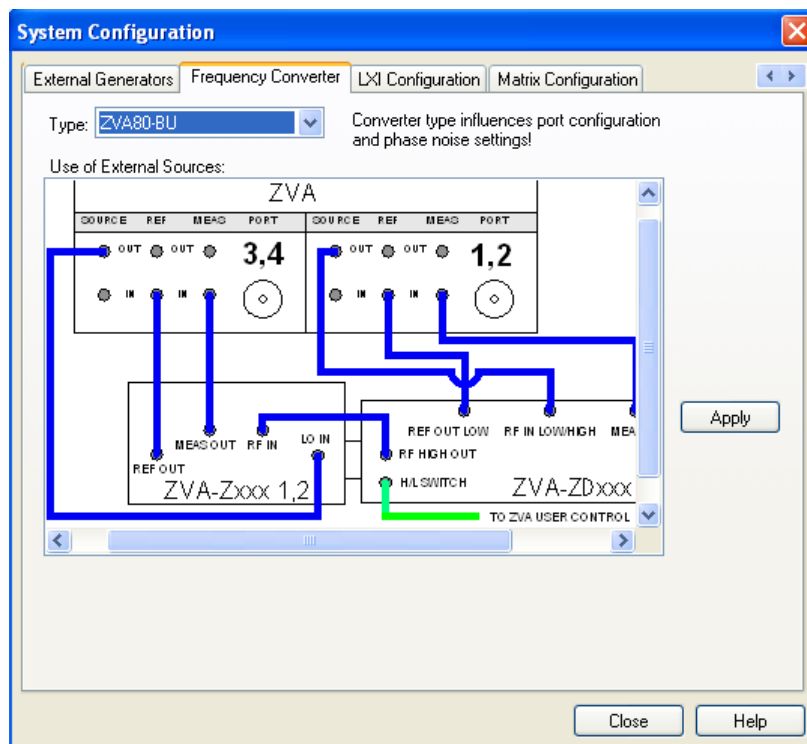


Fig. 3-1: Frequency Converter dialog

3.4 Connecting the External Test Sets

Each of the external test sets must be connected to the R&S ZVA80 base unit, the power supply and the DUT. Please refer to the following sections for details.

- H/L SWITCH (control connection): [chapter 2.5.4, "Connecting the Control Cable"](#), on page 17
- RF connection: [chapter 2.5.5, "Connecting RF Cables"](#), on page 17
- Power supply: [chapter 2.5.6, "Connecting the Converter to the DC Supply"](#), on page 20
- DUT (usually connected after calibration): [chapter 2.5.8, "Mounting a DUT"](#), on page 21

3.5 Calibration

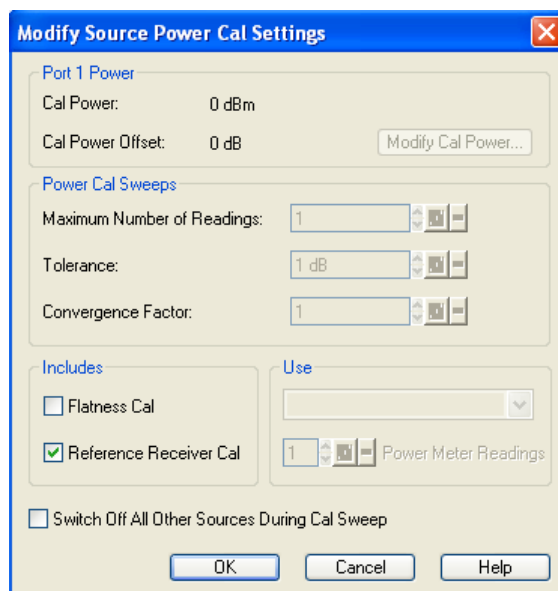
A source power calibration for an external test set requires an appropriate external power meter, to be connected to the converter's 1 mm test port connector. The power meter is configured in the ordinary way using the "System Configuration > External Power Meters" tab.

In the low frequency domain below approx. 50 GHz, power calibration can be performed in the usual way; refer to your analyzer's help system for details.

In the high frequency domain above approx. 50 GHz, the output power of the external test set can be varied manually (at the converter) only, therefore the standard source power calibration eliminating frequency response errors in the signal path between the source and the reference plane (external power meter) is not possible.

A power calibration of the reference receiver (a-wave) using an appropriate external power meter, however, is possible and recommended for measurements concerning the wave quantities a and b. Proceed as follows:

1. Ensure that the output power of the frequency converter is not attenuated (adjust the knurled knob at the top of the converter to 2 mm).
2. Connect the power meter to the 1 mm test port connector of the external test set and open the "Channel > Calibration > Start Power Cal > Source Power Cal" dialog.
3. Click "Modify Settings" and disable "Flatness Cal", leaving "Reference Receiver Cal" checked.



4. Start the calibration sweep.

This power calibration procedure ensures a reasonable accuracy of the reference power readings over a wide range of converter output powers (i.e. even if the adjusting screw is used to reduce the powers). A receiver power calibration of the b-waves (without

external power meter, using the “Receiver Power Calibration” dialog) is possible after completed power calibration of the a-wave.

After the power calibration procedure a system error correction is recommended. Due to the physical properties of the mm-waves and the 1 mm test set connectors, measurements with external test sets require a special calibration kit for system error correction.

3.6 Measurement

After power calibration and system error correction, the mm-wave measurement can be performed like any other network analyzer measurement. The "Port Configuration" settings (together with the "Stimulus" settings), determine the sweep range of the converted signals (i.e. the input and output frequencies at the DUT ports). All measured quantities (S-parameters, wave quantities, ratios etc.) and other trace settings are available.

The following restrictions hold for measurements in high frequency mode:

- The measurement is performed at fixed RF source and LO power. No power sweep is possible.
- To adjust the actual output power of the converters (e.g. for measuring wave quantities or testing compression effects), use the adjusting knob on top of the converters (see [chapter 2.4.2, "Output Power Adjusting Screw"](#), on page 12).

The following example shows a transmission measurement on a through connection in the frequency range between 10 MHz and 80 GHz.

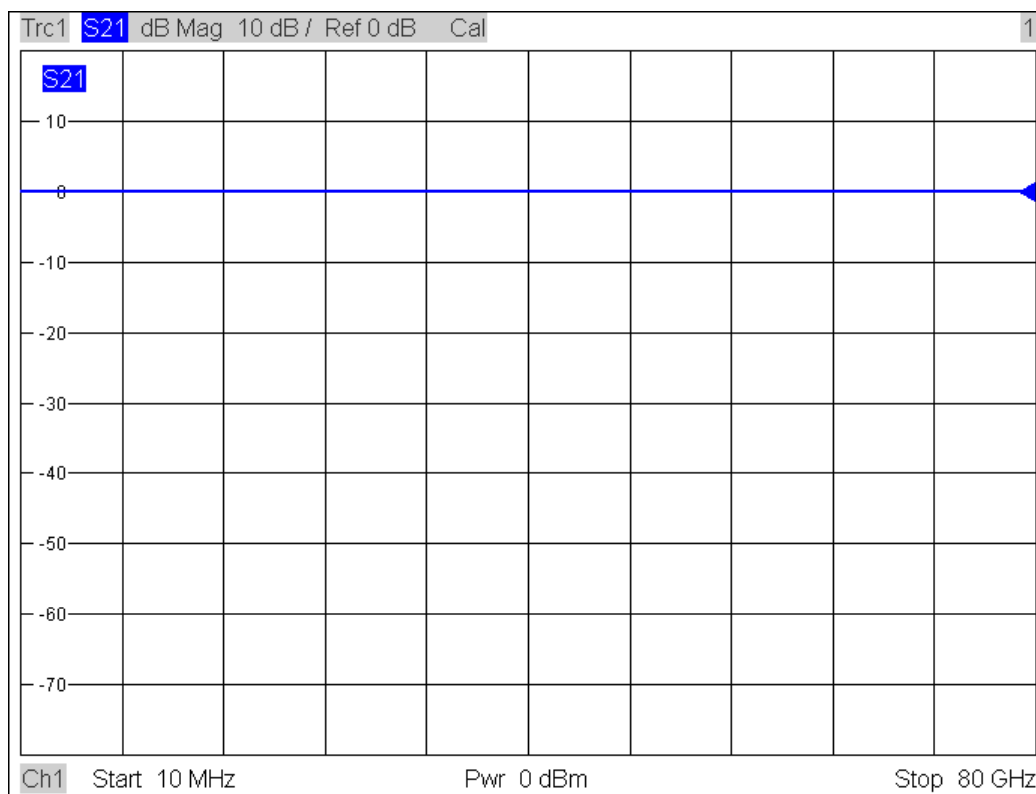


Fig. 3-2: Transmission measurement with an R&S ZVA80

3.7 Troubleshooting

The table below lists possible errors and remedies.

Error	Possible cause	Remedy
No output signal, LED next to the mains switch on the rear of the converter panel off.	Converter not power-supplied	Check power supply and fuse (see chapter 2.5.7, "Switching on the External Test Set" , on page 21)
Switchover between low frequency and high frequency mode fails	Control connection not established or Port 1 and Port 2 connectors interchanged	Check connecting "H/L Switch" cable (see chapter 2.5.4, "Connecting the Control Cable" , on page 17).
Measurement shows noise only	No supply power at the diplexer unit	See chapter 2.3, "Diplexer Connectors" , on page 8

3.8 Special Considerations for Type 03 and 04 Systems

The R&S ZVA50 network analyzer of an R&S ZVA80 type 03 or 04 supports measurements with external test sets in analogy to the R&S ZVA80-BU; the calibration procedure and the measurements are identical. Refer to the description in the previous sections.

Note the following differences between the R&S ZVA80-BU and the R&S ZVA50:

1. Option R&S ZVA50-B16, "Direct Generator/Receiver Access", provides 3 pairs of 1.85 mm (V) connectors at each test port, including ports 3 and 4. Use the additional adapters supplied with the external test sets to connect the RF cables to SOURCE OUT, REF IN, MEAS IN.
2. After a factory preset, the R&S ZVA50 is configured for measurements using the internal test sets. Activate the "ZVA80-BU" mode explicitly before you connect the external test sets; see [chapter 3.3, "Activating the ZVA80-BU Measurement Mode"](#), on page 23.

3.9 Additional Information

For a comprehensive description of R&S ZVA analyzers including frequency conversion and remote control refer to the R&S ZVA help system or to the printable operating manual, which is available for download at <http://www.rohde-schwarz.com/product/zva>.

Application notes related to frequency converters are also available for download, see <http://www.rohde-schwarz.com/product/zva-z>.

The text book "Fundamentals of Vector Network Analysis" by Michael Hiebel is an ideal complement for the information given in the user documentation. The book combines theoretical background and practical measurements on an R&S ZVA network analyzer. In case of interest please contact your local R&S office.

4 Dismounting Frequency Converters

The frequency converters may be dismantled from the external test sets and used separately. They can be used in combination with any network analyzer R&S ZVA or R&S ZVT with an upper frequency limit of 20 GHz or higher (R&S ZVT 20, R&S ZVA 24, R&S ZVA 40 ...).

The frequency converters provide:

- A frequency range between 50 GHz and 75 GHz
- Direct connection of DUTs with waveguide flanges
- System error correction using waveguide calibration kits (e.g. R&S ZV-WR15)

For detailed information about measurements with external frequency converters refer to the Quick Start Guide R&S ZVA-Z75, Z110 ..., stock no. 1307.7039.62, which is posted on the R&S internet, and to your network analyzer's help system.

Dismounting the converter

To detach the frequency converter from the diplexer:

1. Unscrew the semi-rigid RF cable between the RF HIGH OUT connector on the top side of the diplexer and the RF IN connector on the rear panel of the converter.
2. Turn the external test set by 90 deg so that the diplexer connectors point in upward direction.
3. Open the corrugated union screw of the power supply cable between the converter the diplexer manually, leaving the cable attached to the diplexer.
4. Open two screws at the U-shaped metal clamp, leaving the clamp attached to either the converter or the diplexer.
5. Put the external test set back on its feet.
6. Use the hexball driver supplied with the R&S ZVA80 to open all screws at the waveguide flange, leaving the flange attached to the converter.
7. Carefully detach the two devices in horizontal direction.

NOTICE

Risk of damaging waveguide flanges

The waveguide flanges of the dismantled converter and of the test port adapters must be protected against mechanical damage. Furthermore the waveguides must be shielded from dust.

Protect the waveguide flange of the dismantled converter by leaving a test port adapter connected. When the converter is not in use attach one of the included protective caps to the adapter. Avoid scratching the contact surfaces of the waveguide flanges.

Re-mounting the converter

To re-mount the converter, perform the steps described above in reverse order. Use a torque wrench to tighten the semi-rigid RF cable to the SMA connectors and notice that the RF cables of the left and right test sets are not identical.

4.1 Service Re-Calibration

For accurate measurements the R&S ZVA80 must be re-calibrated by Rohde & Schwarz after the calibration interval in the data sheet has elapsed. Calibration involves all components of the test system, including the R&S ZVA80-BU (or R&S ZVA50 network analyzer, in test systems type 03 or 04) and both external test sets.

To help us carry out your order as quickly as possible, please always return the complete test system. Observe the label on the rear panel of the R&S ZVA80-BU (or R&S ZVA50 network analyzer) to ensure that all components belong together.

Index

A

Adjusting screw 12

B

Basic operation 23

BIAS 10

C

Calibration 25

D

DC power 20

Diplexer 8

Dismounting converters 29

DUT 21

F

Feet 16

Frequency converter

(dis-)mount 29

standalone operation 29

Fuse

diplexer 11

frequency converter 14

replacement 21

H

H/L SWITCH 10

H/L Switch cable 17

I

IF connector outputs 15

Input powers 14

Instrument setup 16

L

LO IN 14

M

Maintenance 21

MEAS OUT 15

MEAS OUT LOW 10

Measurement 26

Measurement principle 23

P

PORT 1 / 2 7

PORT 3 / 4 8

Power adjusting screw 12

Power calibration 25

Power on 21

Power supply connector 13

Preparing the analyzer for use 6

R

Rear panel

diplexer 10

frequency converter 12

REF OUT 15

REF OUT LOW 10

Replacing fuses 21

Required Equipment 23

RF connection 17

RF connector inputs 14

RF IN 14

RF IN LOW / HIGH 10

S

Service re-calibration 30

Standby switch 13

Storing the instrument 22

System Configuration 23

System error correction 26

T

Test port

analyzer 7

diplexer 9

Troubleshooting 27

U

Unpacking 15

W

Waveguide flange 11

Z

ZVA80-BU (measurement mode) 23